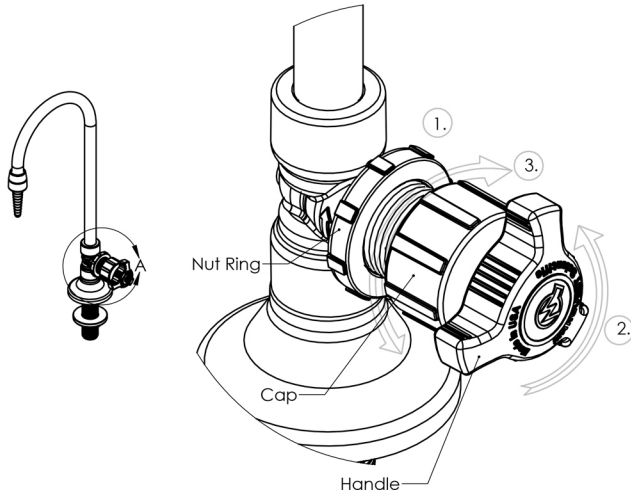


## Installation Instructions

### Throttle Master Top Works Sub-Assembly Resealing Instructions

Should your Lab Faucet Control Valve Stem Seal need to be reseated due to any leakage around or near the Cap or Handle, follow these instructions:

#### Resealing Diagram & Instructions



The Stem Seal can be reseated. If any leakage occurs around the Cap or Handle, follow the directions below:

1. Make sure the Nut Ring is in this location. The Nut Ring should always be left in this position so the Cap can be retightened should any leakage occur.
2. Open Handle 2 full turns from closed.
3. Unscrew Cap 1 full turn and firmly retighten by hand.

#### Marquest Scientific, Inc.

2950 Airway Avenue, Costa Mesa, CA 92626

Tel: (714) 491-9191, Toll Free (866) 452-2349, Fax (714) 491-9199

sales@marquestscientific.com, www.MQSites.com

www.DiWaterFaucets.com

Item #MS-TPWKL-RESEAL [9/13]

© 2013 Marquest Scientific, Inc.

Printed in USA

